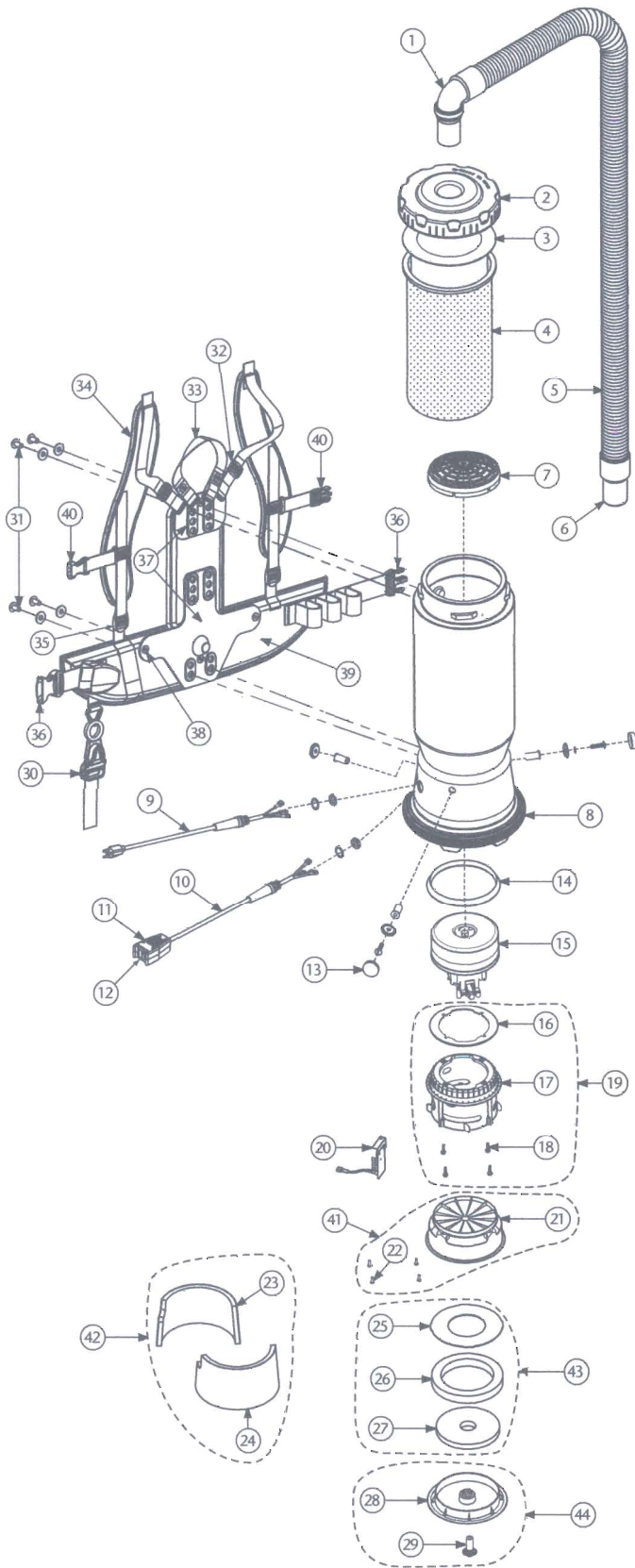


QUIETPRO BP HEPA PARTS



No.	Product Name	Qty	List Price
1	101928 Elbow Cuff, Swivel	1 ea.	\$ 8.63
2	104273 Twist Cap (Black)	1 ea.	27.48
3	100431 496 Sq. In. Intercept Micro Filter	10/pk	15.29
4	100564 Micro Cloth Filter	1 ea.	23.29
5	103048 Static-Dissipating Hose (Black) w/Cuffs 1 1/2"	1 ea.	23.74
6	100694 Replacement Swivel Cuff (Black) 1 1/2"	1 ea.	5.13
7	106526 Replacement HEPA Dome Filter	1 ea.	10.29
8	100586 Bottom Bumper	1 ea.	6.88
9	100641 Power Cord Assembly Complete w/Strain Relief	1 set	18.12
10	105748 Switch Cord Assembly Complete F/QuietPro	1 set	35.15
11	106287 Switch Box w/Velcro and Screws	1 set	22.48
12	105973 On/Off Switch	1 ea.	18.52
	105438 On/Off Switch (older style)	1 ea.	18.52
13	100368 Motor Mounting System Set: 3 Well Nuts, 3 Bolts, 3 Washers, 3 Covers	1 set	12.49
14	100014 Tetraseal, Motor	1 ea.	11.25
15	105722 Motor, (120V), 2-Stage (includes: #16)	1 ea.	94.69
	105697 Carbon Brush Set (Domel)	1 set	19.98
	100424 Carbon Brush Set (Ametek)	1 set	19.98
16	105605 Gasket, Motor	1 ea.	5.95
17	105149 Cap, Motor	1 ea.	16.77
18	105763 Screw, 10-32 x 3/4", Self Tapping	4/pk.	2.71
19	105619 Motor Mount Assembly (includes: #16, 17, 18)	1 set	30.83
20	105653 Dual Speed Module and Schematic with Thermal Protector	1 ea.	57.32
21	105150 Exhaust Housing, Motor	1 ea.	12.98
22	105767 Screw, #8 x 1/2", Phillips, Hi/Lo	4/pk.	2.71
23	105422 Acoustical Insert, Left	1 ea.	23.79
24	105419 Acoustical Insert, Right	1 ea.	23.79
25	105337 Ring, Motor Housing, Large	1 ea.	13.25
26	105342 Foam, Ring, Motor Housing	1 ea.	16.22
27	105343 Foam, Cover, Motor Housing	1 ea.	11.36
28	105341 Cover, Motor Housing	1 ea.	11.08
29	105613 Motor Mount	1 ea.	6.49
30	102604 Shulte Cord Holder	1 ea.	8.35
31	100716 Backplate (Blk) Connection Set: 4 Screws w/Washers	1 set	12.49
32	100358 Shoulder Strap Plastic Adjustment (Top)	1 ea.	.94
33	101737 Carry Handle w/Rivet and Washer Set	1 set	8.13
34	100356 Shoulder Strap Assembly: (includes: #32, 35, 40)	1 set	16.24
35	100357 Shoulder Strap Plastic Adjustment (Bottom)	1 ea.	.94
36	106719 Waist Belt Keeper and Latch	1 ea.	11.32
37	105046 Backplate (includes: #38)	1 set	24.99
	103166 Backplate System Complete (includes: #31, 33, 34, 37, 38, 39)	1 set	62.46
	100354 Strap Assembly Complete (includes: #34, 39)	1 set	49.97
38	100375 Barrel Nut Connection Set for Backplate (Replacement)	1 set	5.62
39	100359 Waist Belt (includes: #36)	1 ea.	37.47
40	103627 Sternum Strap Buckles (Latch and Keeper)	1 set	2.00
41	105620 Kit, Housing, Exhaust, Motor F/QuietPro (includes: #21, 22)	1 set	30.83
42	105621 Kit, Foam, Laminate Acoustical Panels (includes: #23, 24)	1 set	39.48
43	105622 Kit, Exhaust, Foam and Ring (includes: #25,26,27)	1 set	34.61
44	105623 Kit, Cover, Exhaust F/QuietPro (includes: #28, 29)	1 set	16.22
	101678 50' Extension Cord (Not Shown)	1 ea.	31.05