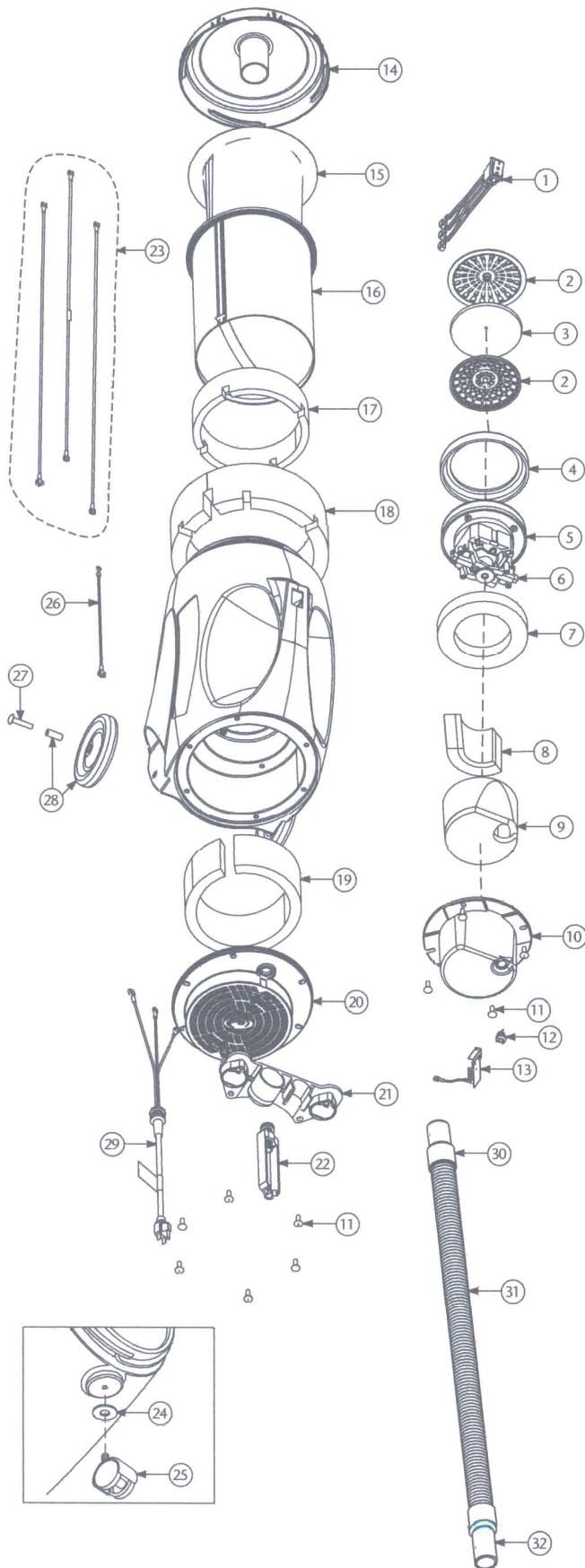


QUIETPRO CN HEPA PARTS



No.	Product Name	Qty	List Price
1	105991 On/Off Switch (2 Stage)	1 ea.	\$ 15.30
2	102784 Dome Filter w/Filter Media	1 ea.	7.50
3	101949 Replacement Foam Media for Dome Filter	1 ea.	1.26
	102761 High Filtration Disk (Optional)	2/pk	10.29
4	103236 Motor Seal	1 ea.	6.25
5	106919 Motor/Fan (120V) w/Crimps (Ametek Motor)	1 ea.	91.93
6	105697 Carbon Brush Set (Domel Motor)	1 set	19.98
	106904 Carbon Brush Set (Ametek Motor) (122157-00)	1 set	19.98
7	105430 Upper Foam Compression Ring	1 ea.	13.80
8	105949 Noise Suppression Filter Assembly	1 ea.	20.01
9	105948 Noise Suppression Foam	1 ea.	11.36
10	103121 Motor Mount	1 ea.	17.89
11	103266 Motor Mount and Vented Exhaust Cover Screw Kit	1 set	5.45
12	102127 Small Strain Relief	1 ea.	.28
13	105653 Dual Speed Module and Schematic with Thermal Protector	1 ea.	57.32
14	103318 Top Cap, Black	1 ea.	32.48
15	104544 698 Sq. In. Intercept Micro Filter	10/pk	24.48
16	103115 Micro Cloth Filter	1 ea.	29.41
17	103125 Foam Inlet Damper B	1 ea.	9.30
18	103124 Foam Inlet Damper A	1 ea.	13.34
19	103256 Rear Foam Diffuser	1 ea.	11.25
20	103638 Replacement HEPA Filter Kit and Mounting Screw (includes: #29)	1 ea.	117.78
21	103117 Tool Dock	1 ea.	18.75
22	103441 Cord Lock	1 ea.	11.37
23	106203 Wire Harness Assembly: 3 Wires and Strain Relief	1 set	21.63
24	103545 Conical Washer for Swivel Caster	1 set	4.11
25	103114 Swivel Caster	1 ea.	11.25
26	106107 Ground Jumper	1 ea.	9.20
27	103268 Rear Wheel Mounting Screw Kit: 2 Screws	1 set	1.88
28	103267 Rear Wheel Assembly Kit: 2 Wheels, 2 Spacers, 2 Screws	1 set	16.55
29	103215 Power Cord (18" 14/3) Assembly w/Locknut and Washer	1 ea.	18.12
30	100694 Replacement Swivel Cuff (Black) 1 1/2"	1 ea.	5.13
31	103172 78" Static Dissipating Hose w/Cuffs (Black) 1 1/2"	1 set	32.48
32	103150 Replacement Long Swivel Cuff (Black) 1 1/2"	1 ea.	10.66
	101678 50' Extension Cord (Not Shown)	1 ea.	31.05